

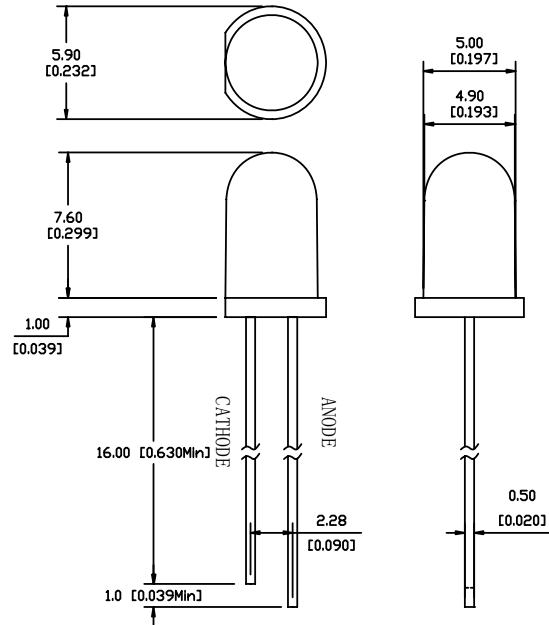


SLL-501PD (5mm Photodiode black lens packaged)

Absolute Maximum Ratings at Ta=25°C

Parameter	Symbol	Rating	Unit
Forward Current	I _F	25	mA
Power Dissipation	P _d	60	mW
Reverse Voltage	V _R	5	V
Peak Forward Current (Duty 1/10 @1KHZ)	I _{PF}	150	mA
Operation Temperature	T _{OPR}	-40 to +80	°C
Storage Temperature	T _{STG}	-40 to +85	°C

Package Dimensions:



Features:

- 1.Round Shape.
- 2.IC compatible /Low current capability
- 3.Long life solid state reliability.

Product

Part Number	SLL-501PD	
Open circuit voltage	(VOC)H=5.0mw/cm3	Typ=400mV
Short Circuit Current	(ISC)H=5.0mw/cm3	Typ=2uA
Reverse Dark Current	(ID)VR=10V H=0mw/cm3	Max=10nA
Reverse Light Current	(IL)VR=5V H=5mw/cm3	Typ=3.5uA
Reverse Break Down Voltage	(VBR)IR=100uA H=0mw/cm3	Typ=170V
Tr Tf	VR=10V RL=1k	6ns
Wave Length (λp)	940nm	
Viewing Angle 2θ1/2 (deg)	35	